

Reservedelsliste

Spare parts list

Ersatzteilliste

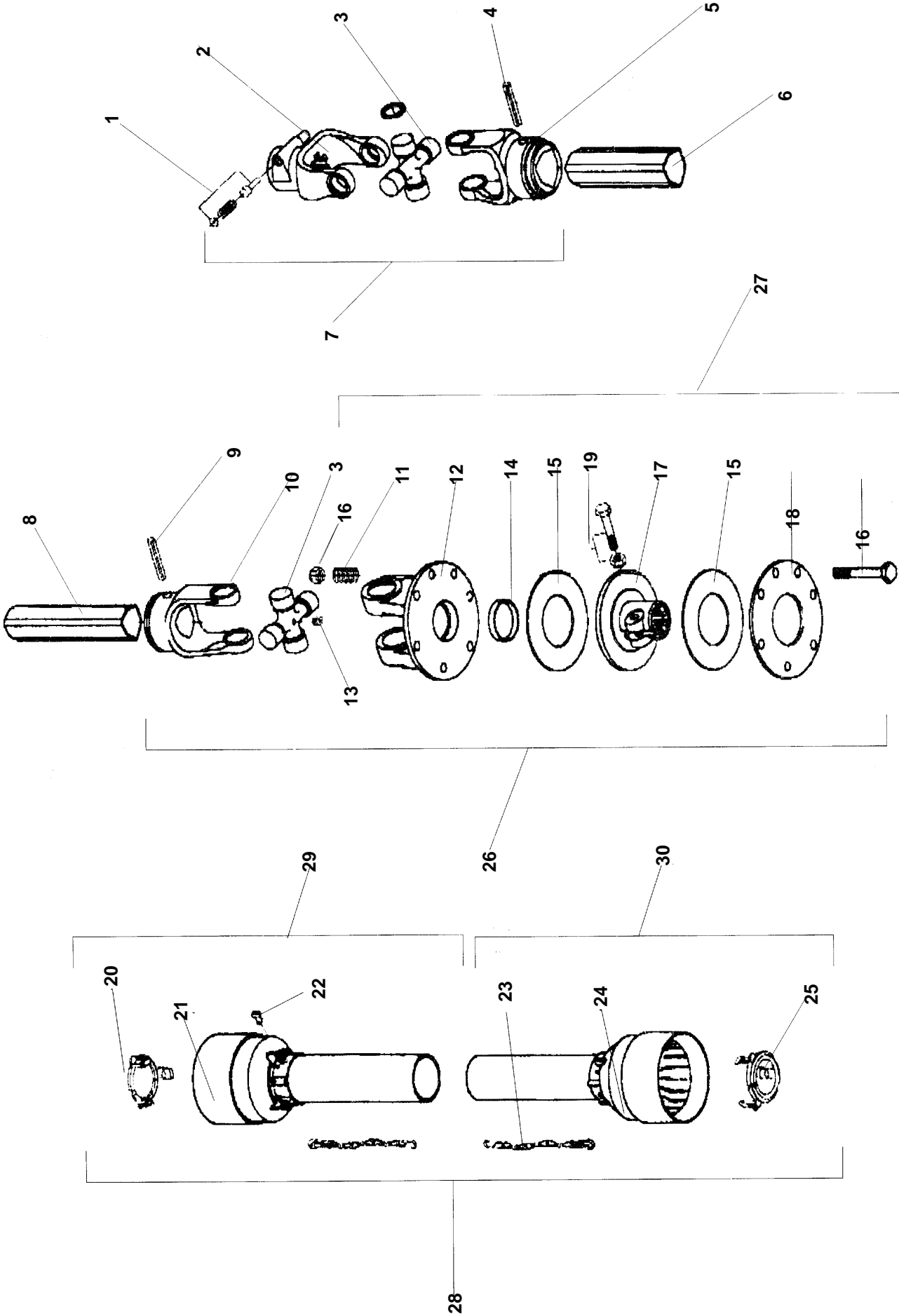
Onderdelenlijst

Liste de pièce de rechange

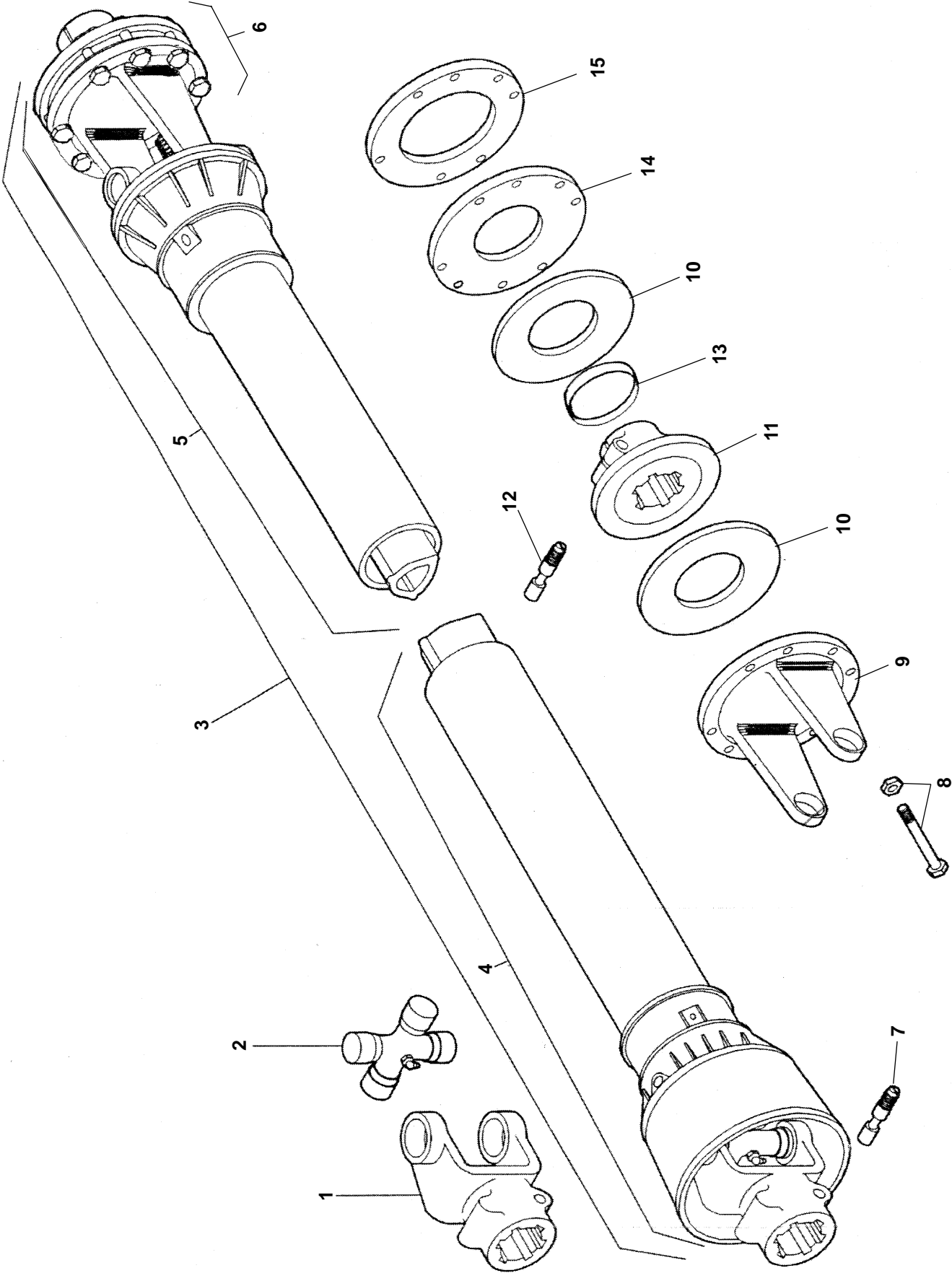
Lista de Piezas

Parti di ricambio

ROTAVATOR 200



ROTAVATOR 200



ROTAVATOR 200

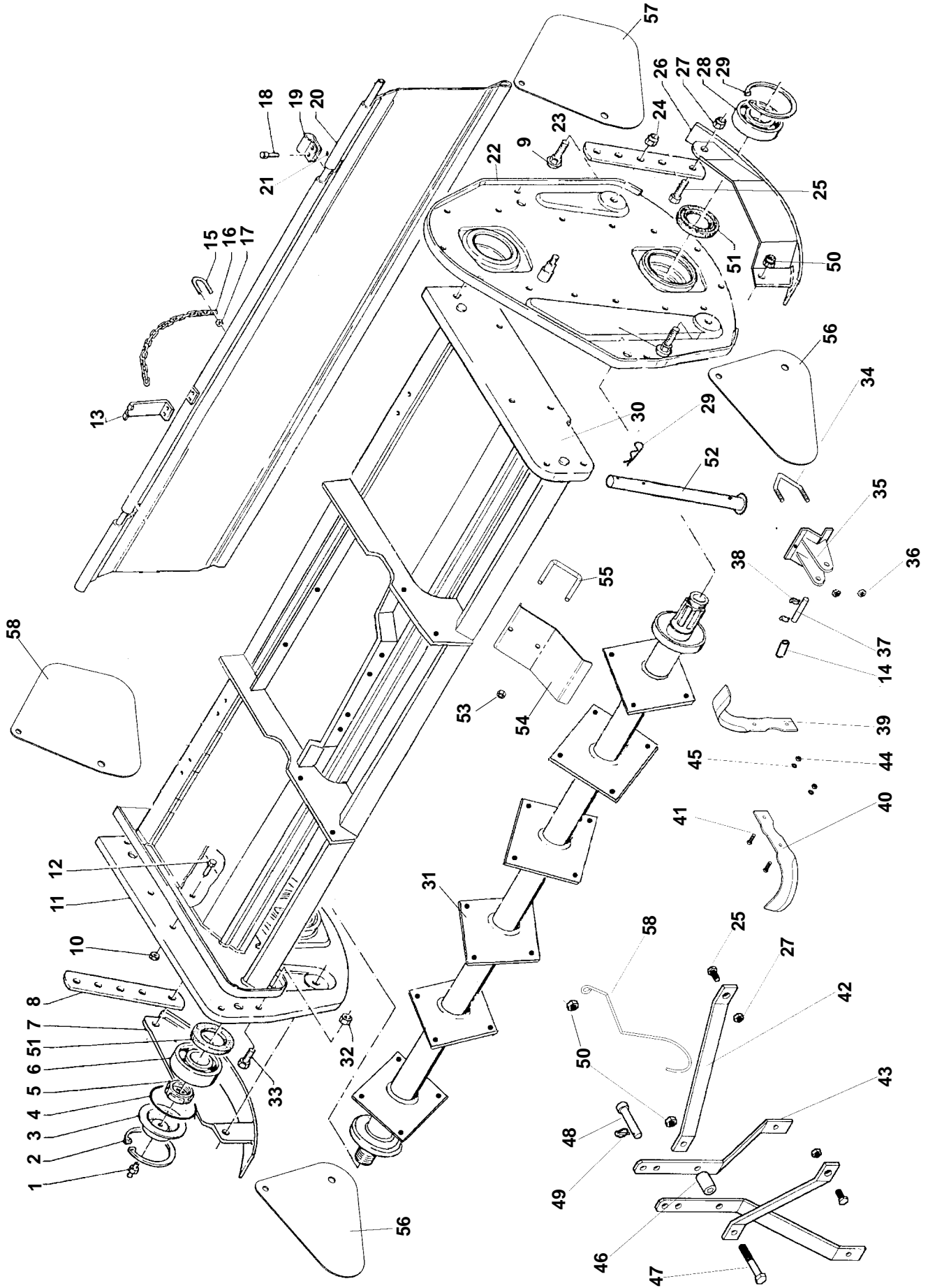


Fig.	Serial nº	Part nº	Pieces	Notes
1	202 030 020	1	1/8"	
2	208 001 320	1	Circlip I-80	
3	74 000667677	1		
4	202 023 950	1	O-ring	
5	74 000667685	1		
6	253 580 211	1	Bearing #6307	
7	74 000667648	1		
8	74 000667678	1		
9	310 012 300	2	Bolt M12 x 30mm.	
10	307 210 050	1	Lock nut M10	
11	74 000667647	1		
12	301 210 200	1	Bolt M12 x 20 mm.	
13	74 000667670	1		
14	74 000667701	2	Cat.1	
15	74 000667687	1		
16	74 000667676	1		
17	307 208 010	4	Nut M8	
18	301 208 200	#	Bolt M8 x 20 mm.	
19	74 000667684	#		
20	74 000667637	1	085	
20	74 000667638	1	105	
20	74 000667639	1	125	
21	307 208 050	#	Locknut M8	
22	74 000667646	1		
23	74 000667678	1		
24	307 212 050	2	Locknut M12	
25	301 212 300	2	Bolt M12 x 30 mm.	
26	74 000667649	1		
27	307 212 050	6	Locknut M12	
28	253 580 211	1	Bearing #6307	
29	74 000649654	1		
30	74 000667642	1	085	
30	74 000667641	1	105	
30	74 000667640	1	125	
31	74 000667665	1	085	
31	74 000667664	1	105	
31	74 000667663	1	125	
32	307 210 050	8	Locknut M10	
33	301 210 200	6	Bolt M10 x 20 mm.	
34	74 000667681	2		
35	74 000667669	2		
36	307 214 050	4	Locknut M14	
37	74 000667398	2	Cat. 0	
38	74 000667415	4	Pin	
39	73 000009941	#	◀	
40	73 000009942	#	▶	
41	101 107 140	#	Bolt 7/6" x 40 mm.	
42	74 000667408	2		
43	74 000667698	2		
44	74 000061188	#	Nut 7/6"	
45	108 071 240	#	Spring washer 7/6"	
46	74 000640616	1		
47	301 612 125	1	Bolt M12 x 125 mm.	
48	74 000667406	1		
49	74 000667415	1		
50	307 212 050	2	Locknut M12	
51	267 240 102	2	Seal 72 x 40 x 10 mm.	
52	74 9668835 00	1		
53	307 208 050	#	Locknut M8	
54	74 9668390 01	2	085 - 105	
54	74 9668390 02	2	125	
55	74 9668399 00	2		
56	74 9668470 00	2		
57	74 9668471 00	2		
58	74 9668750 03	1		

ROTAVATOR 200

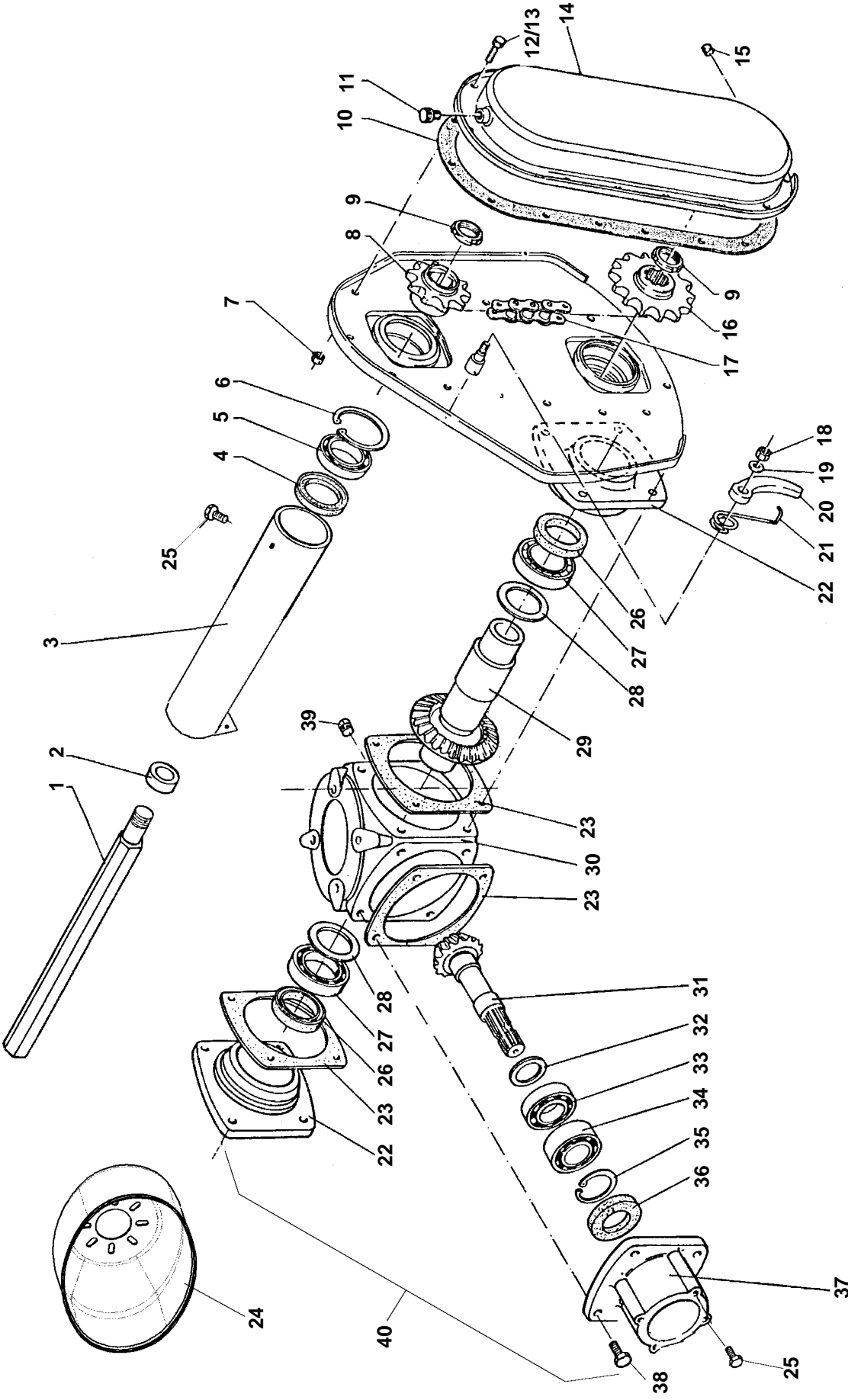


Fig.	Serial nº	Part nº	Pieces	Notes
1	74 000667658	1	085	
1	74 000667657	1	105	
1	74 000667656	1	125	
2	74 000667667	1		
3	74 9668787 08	1	085	
3	74 9668787 10	1	105	
3	74 9668787 12	1	125	
4	266 545 081	1	Seal 45 x 65 x 10 mm.	
5	253 580 211	1	Bearing #6307	
6	208 001 320	1	Circlip I-80	
7	307 208 050	14	Locknut M8	
8	74 000667650	1	Z 11	
9	74 000667686	1		
10	74 000667655	1		
11	203 031 180	1	Plug 3/8"	
12	301 208 200	11	Bolt M8 x 20 mm.	
13	301 208 250	3	Bolt M8 x 25 mm.	
14	74 000667654	1		
15	203 031 160	1	Plug 1/8"	
16	74 000667651	1	Z 14	
17	74 000667680	1	Chain 1" x 36	
18	307 210 050	1	Locknut M10	
19	308 100 020	1	Flat washer	
20	74 000667652	1		
21	74 000667653	1		
22	222 027 011	1		
23	222 027 013	1		
24	74 000667679	1		
25	301 408 150	4	Bolt M8 x 15 mm.	
26	266 550 081	1	Seal 50 x 65 x 8 mm.	
27	255 080 161	1	Bearing #6010	
28	222 027 020	1		
29	74 000667906	1	Z 24	
30	222 027 010	1		
31	74 000667907	1	Z 13	
32	222 027 019	1		
33	253 572 181	1	Bearing #30207	
34	253 572 171	1	Bearing #6207	
35	208 002 380	1	Circlip	
36	267 235 103	1	Seal 35 x 72 x 10 mm.	
37	222 027 012	1		
38	301 412 255	4	Bolt M12 x 45 mm.	
39	203 031 180	1	Plug 3/8"	
40	74 000667662	1	Gearbox	