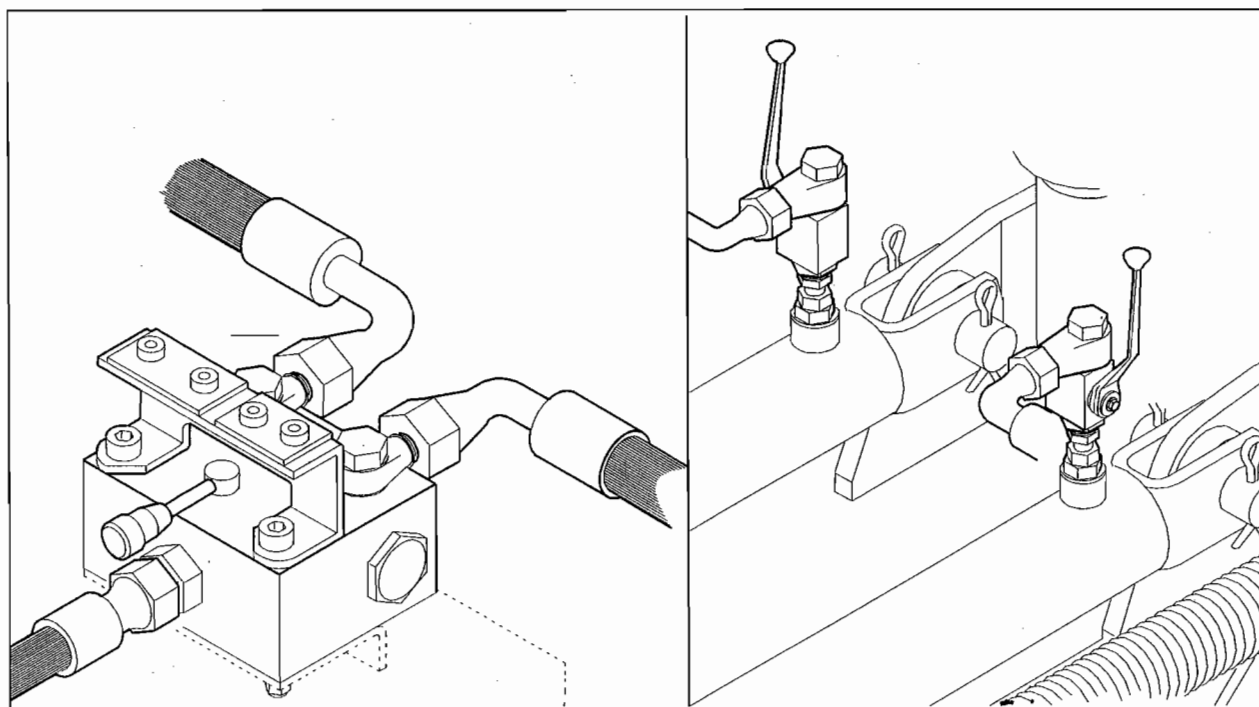




AGRICULTURAL MACHINERY

**sitrex**®  
s.r.l.

## ASSEMBLY, USE AND MAINTENANCE SPARE PARTS LIST



### KIT TO OPEN ONE SIDE ONLY MK/MX

# 1 INSTRUCTIONS TO MOUNT THE KIT TO OPEN ONE SIDE

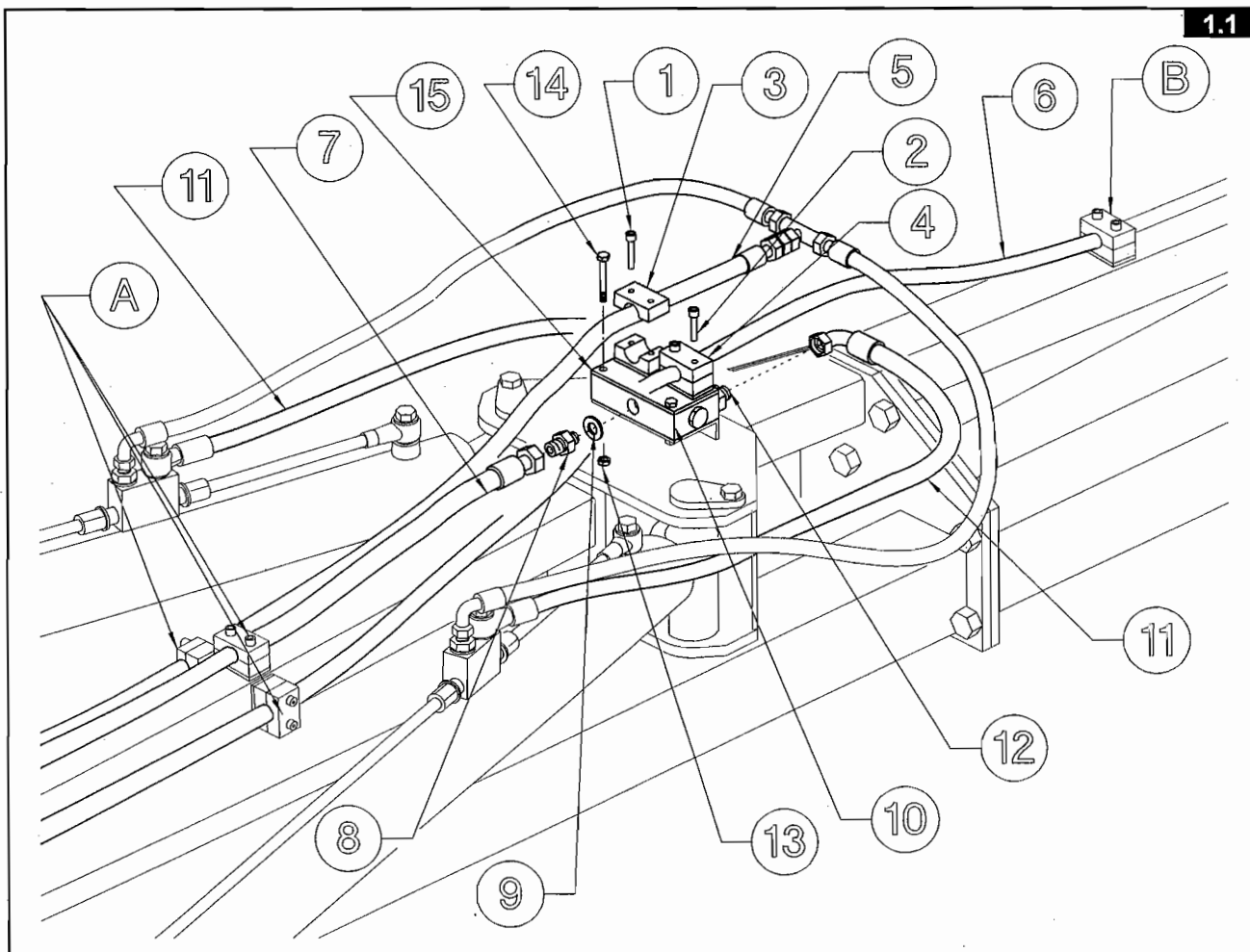
## 1.1 FOR MK

Remove screws 1 and 2, together with their respective collars 3 and 4, in order to be able to move hose 5 and 6. Note: screws 1 and 2 and collars 3 and 4 will be used again. Remove hose 7 from nipple 8.

Remove nipple 8 and washer 9 from the flow divider 10.

Note: nipple 8 and washer 9 will be used again. Remove hoses 11 from nipples 12. Remove nuts 13 and screws 14 and take out the hose stop plate 15 together with the flow divider 10.

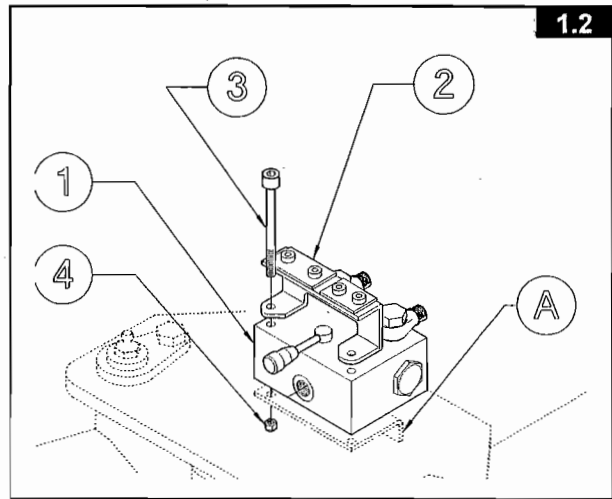
Note: If there is not enough room in which to move the kit, also remove the hoses stop collars at point "A" and "B".



## 1.2 FOR MK

Attach valve 1 and plate 2 to support "A" with screws 3 and nuts 4.

In this step, you will use:  
 Item 3: 2 screws M6 x 90  
 (1/4" x 3 1/2")  
 Item 4: 2 nuts M6 (1/4")



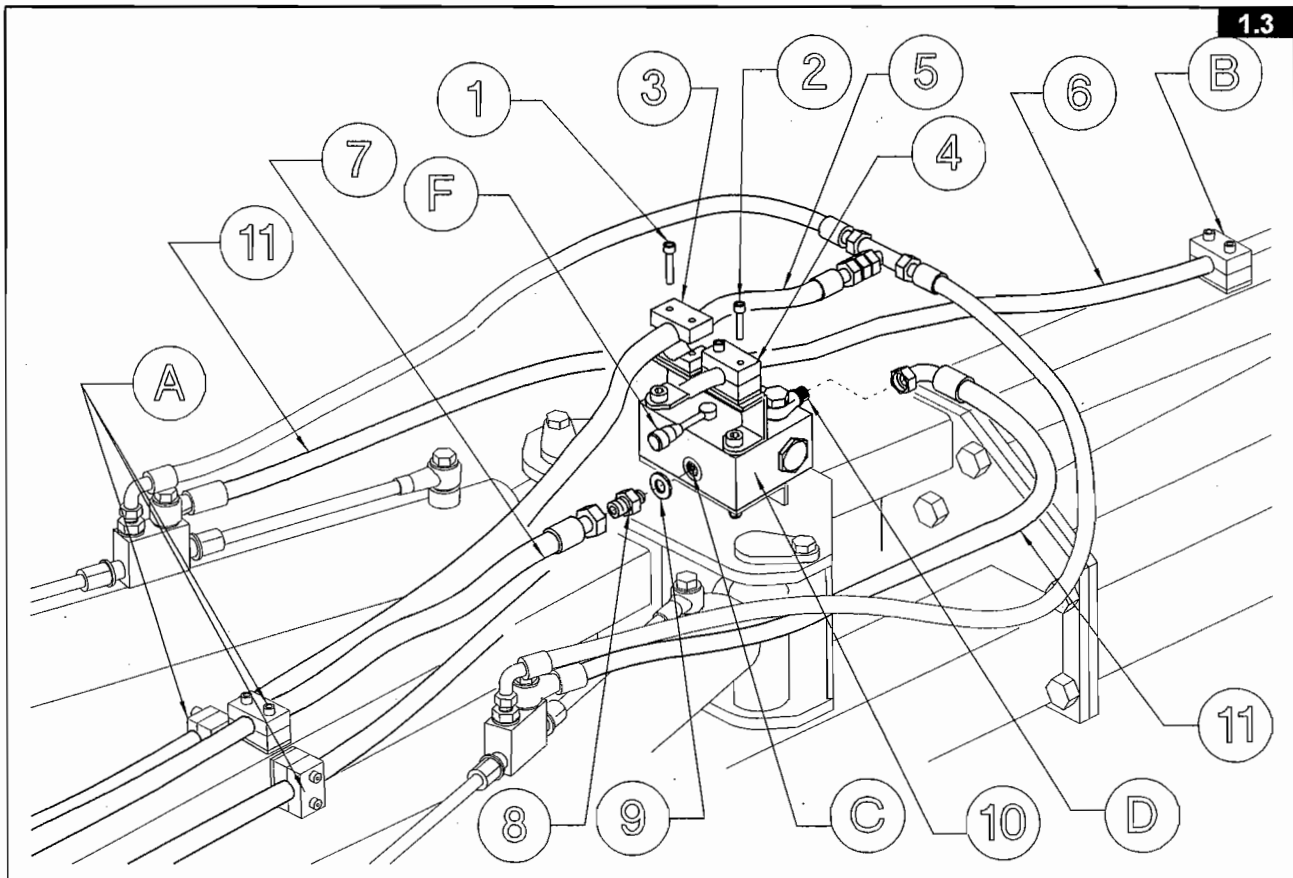
## 1.3 FOR MK

Remove screws 1 and 2, together with their respective collars 3 and 4, in order to be able to move hose 5 and 6. Note: screws 1 and 2 and collars 3 and 4 will be used again. Remove hose 7 from nipple 8.

Remove nipple 8 and washer 9 from the flow divider 10.

Note: nipple 8 and washer 9 will be used again. Remove hoses 11 from nipples 12. Remove nuts 13 and screws 14 and take out the hose stop plate 15 together with the flow divider 10.

Note: If there is not enough room in which to move the kit, also remove the hoses stop collars at point "A" and "B".



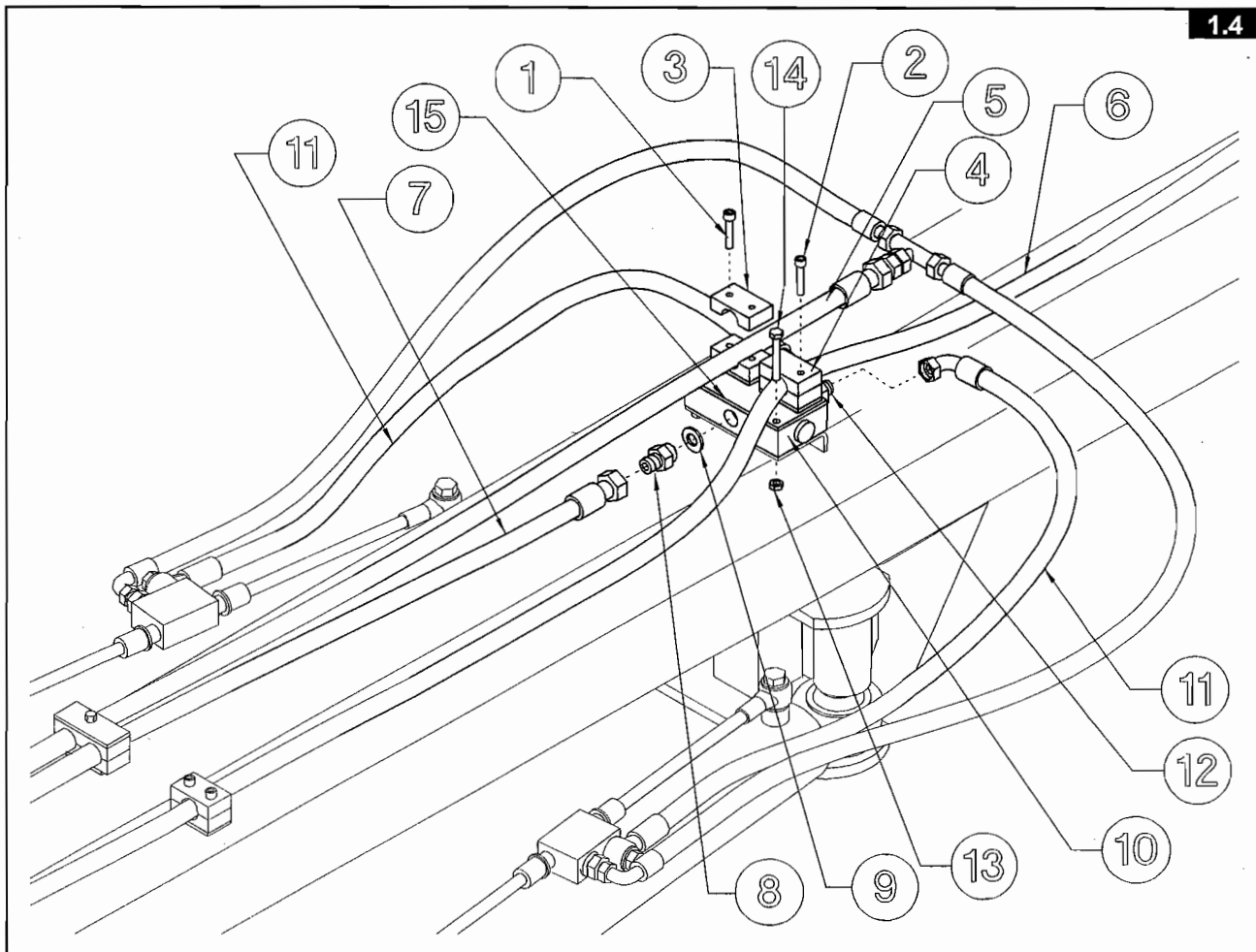
## 1.4 FOR MX

Remove screws 1 and 2, together with their respective collars 3 and 4, in order to be able to move hose 5 and 6. Note: screws 1 and 2 and collars 3 and 4 will be used again. Remove hose 7 from nipple 8.

Remove nipple 8 and washer 9 from the flow divider 10.

Note: nipple 8 and washer 9 will be used again. Remove hoses 11 from nipples 12. Remove nuts 13 and screws 14 and take out the hose stop plate 15 together with the flow divider 10.

Note: If there is not enough room in which to move the kit, also remove the hoses stop collars at point "A" and "B".



## 1.5 FOR MX

In this step, you will use:

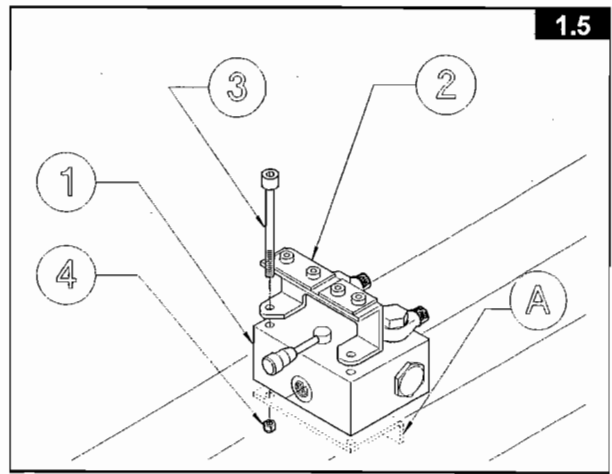
Item 3: 2 screws M6 x 90  
(1/4" x 3 1/2")

Item 4: 2 nuts M6 (1/4")

In this step, you will use:

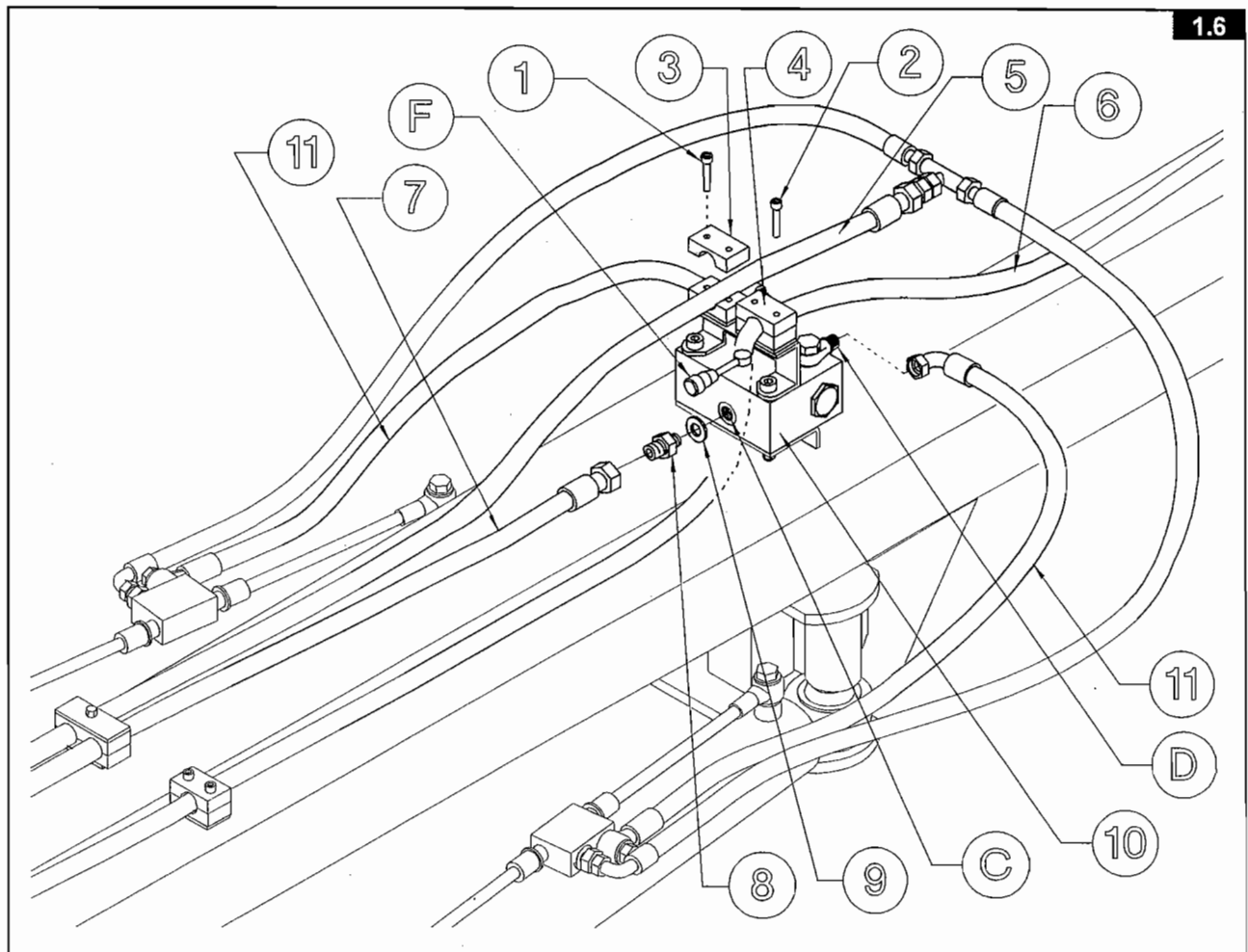
Item 3: 2 screws M6 x 90  
(1/4" x 3 1/2")

Item 4: 2 nuts M6 (1/4")



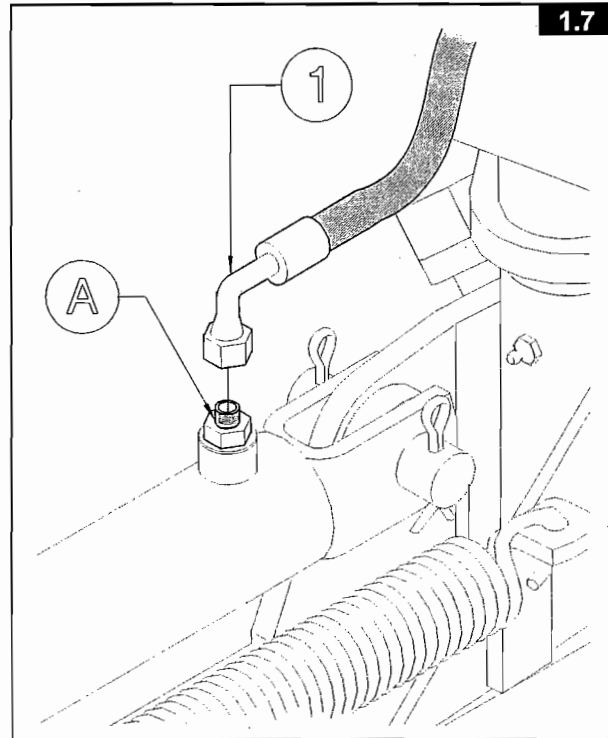
## 1.6 FOR MX

Place washer 9 and nipple 8 into hole "C" of valve 10. Place the hose 7 to nipple 8. Fasten hoses 11 to connectors "D" of valve 10. Mount the hose stop collars 3 and 4, together with their respective hoses 5 and 6, on support "E" and then use screws 1 and 2 to fasten all the pieces into position. If the hose stop collars have been removed, replace them into position at points "A" and "B".  
Note: Place the hoses so that lever "F" is easily accessible.



## 1.7 FOR MK/MX

Remove hose 1 from nipple "A".  
Note: repeat the same operation  
for both wheel lift cylinders of  
the machine.



## 1.8 FOR MK/MX

Place connector 2 and washers  
3 and valve 4 and fittings 5  
-6 and hose 1 into nipple "A".  
Note: repeat the same operation  
for both wheel lift cylinders of  
the machine.

In this step, you will use:

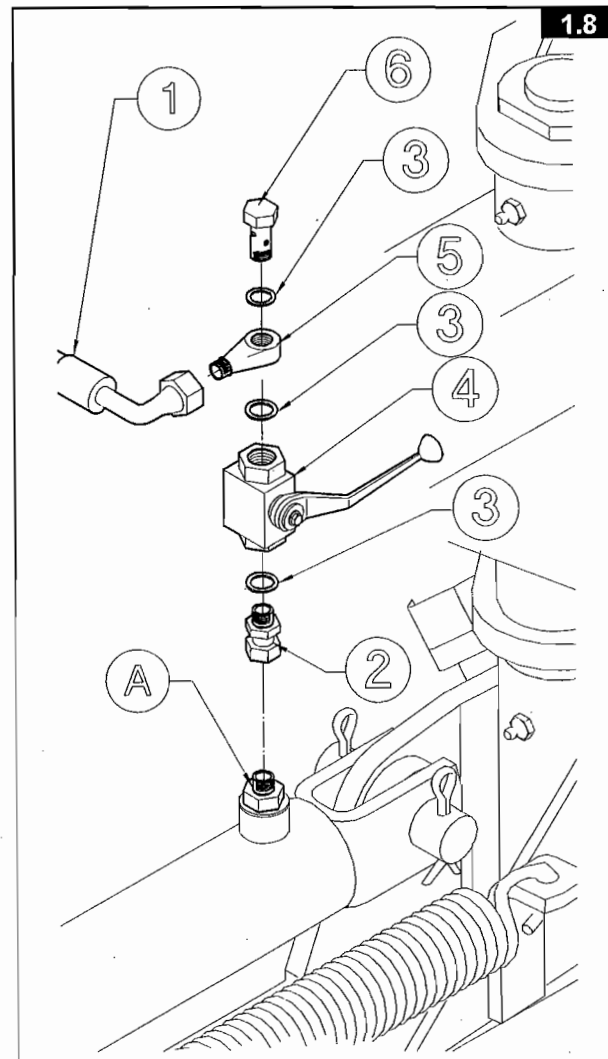
Item 2: 2 connectors 3/8"

Item 3: 6 washers 3/8"

Item 4: 2 valves 3/8"

Item 5: 2 fittings 3/8"

Item 6: 2 screws 3/8"



## 1.9 DIAGRAM SHOWING HOW THE KIT OPERATES TO OPEN THE MACHINE ON ONE SIDE ONLY.

LEVER IN POSITION "A": BOTH CYLINDERS U1/U2 ARE IN OPERATION

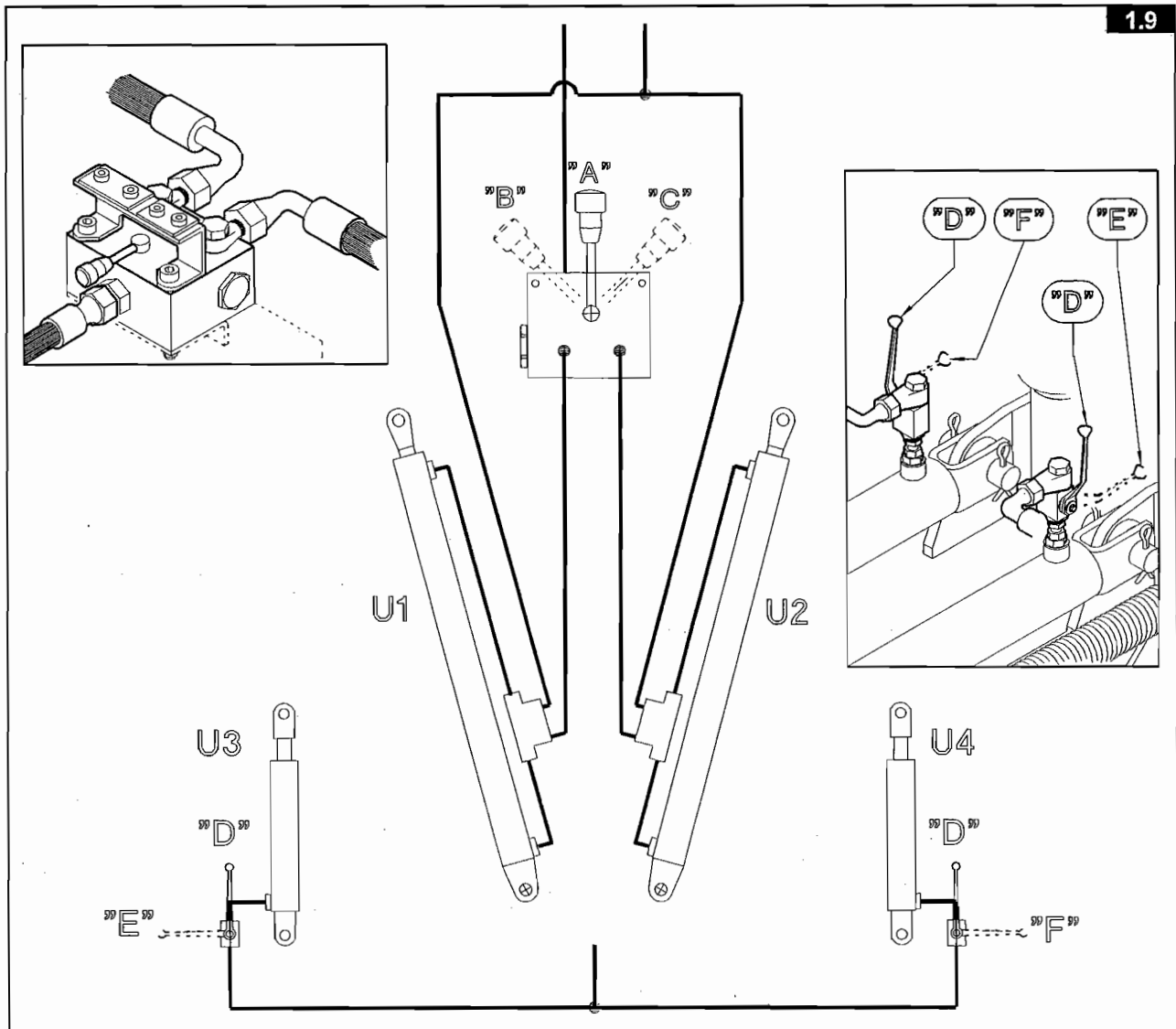
LEVER IN POSITION "B": ONLY CYLINDER U2 IS IN OPERATION

LEVER IN POSITION "C": ONLY CYLINDER U1 IS IN OPERATION

LEVERS IN POSITION "D": BOTH CYLINDERS U3/U4 ARE IN OPERATION

LEVER OF CYLINDER U3 IN POSITION "E" AND LEVER OF CYLINDER U4 IN POSITION "D": ONLY CYLINDER U4 IS IN OPERATION

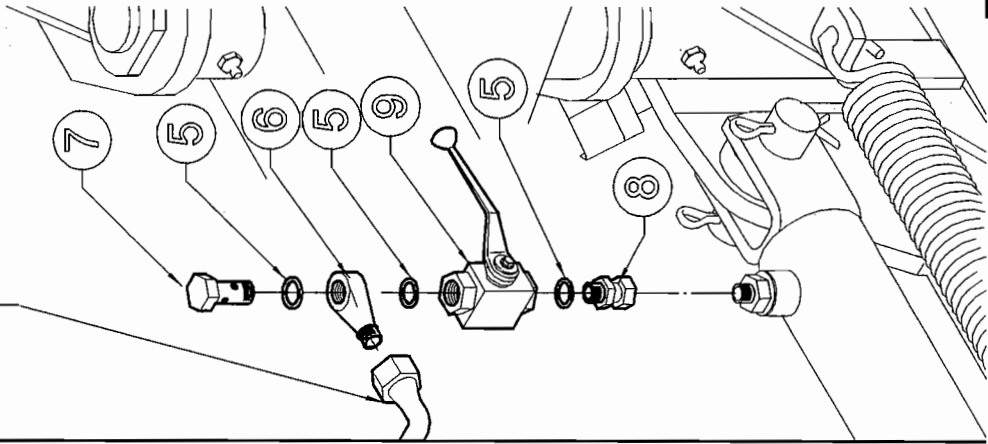
LEVER OF CYLINDER U4 IN POSITION "F" AND LEVER OF CYLINDER U3 IN POSITION "D": ONLY CYLINDER U3 IS IN OPERATION



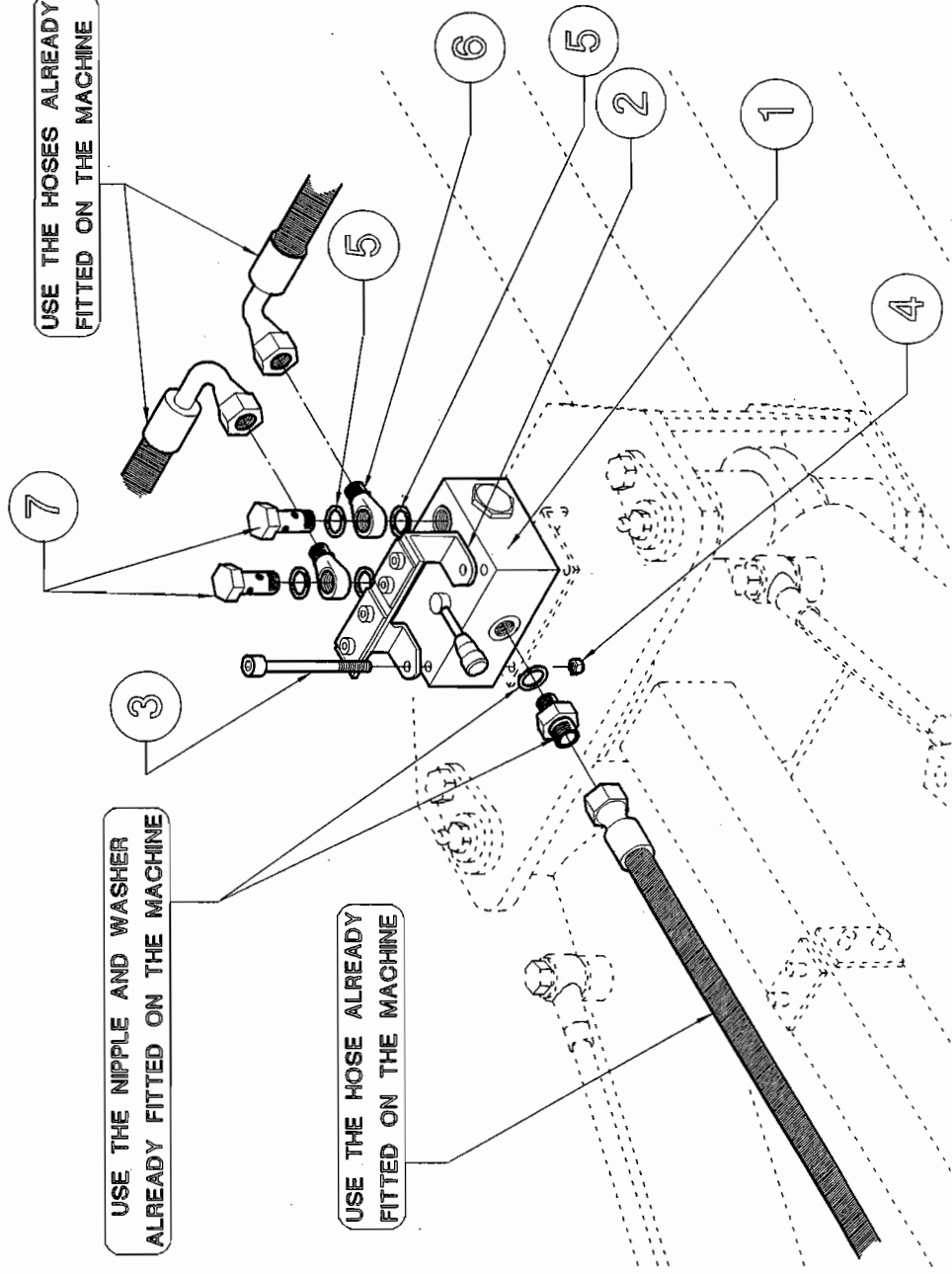
## 2 SPARE PARTS LIST

2.1

USE THE HOSES ALREADY  
FITTED ON THE MACHINE



USE THE HOSES ALREADY  
FITTED ON THE MACHINE



USE THE NIPPLE AND WASHER  
ALREADY FITTED ON THE MACHINE

USE THE HOSE ALREADY  
FITTED ON THE MACHINE

<b>KIT TO OPEN ONE SIDE ONLY PART NO. 220.434</b>				
<b>ITEM</b>	<b>PART NO</b>	<b>Q.ty</b>	<b>DESCRIPTION</b>	<b>NOTE</b>
1	220.419	1	VALVE	
2	220.437	1	PLATE	
3	610.589	2	SCREW M6 x 90	
4	600.472	2	NUT M6	
5	600.039	10	WASHER 3/8"	
6	610.930	4	FITTING 3/8"	
7	600.040	4	FITTING 3/8"	
8	600.271	2	FITTING 3/8"	
9	610.002	2	VALVE	
*	220.434	1	COMPLETE KIT	



**sitrex**<sup>®</sup> AGRICULTURAL MACHINERY s.r.l.

Zona Industriale-Viale Grecia, 8  
06018 TRESTINA-(Perugia)-ITALY  
Tel. +39.075.8540021-Telefax +39.075.8540523  
e-mail: [sitrex@sitrex.it](mailto:sitrex@sitrex.it) [www.sitrex.com](http://www.sitrex.com)

