

# Tree Spades



**PALADIN** LIGHT CONSTRUCTION



**25 Series Tree Spade**



**15 Series Tree Spade**



**30 Series Tree Spade**

## FEATURES:

- available in 3 series:
  - 15° truncated series
  - 25° modified truncated series
  - 30° cone model
- standard electric control joystick to function the hydraulic valve
- overlapping blades to clean cut roots
- adjustable blade legs slide to control ball depth
- wide gate opening to engage tree easily
- 2 year limited warranty



2625



3215



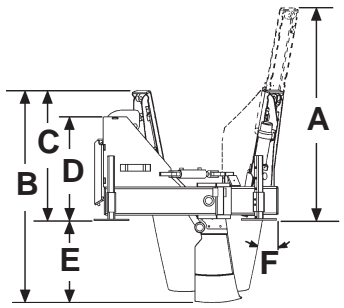
2030



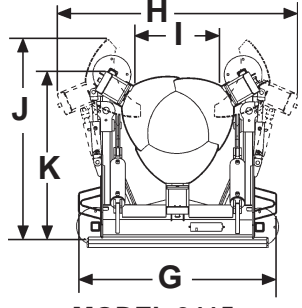
4425

# 15 Series Tree Spade SPECIFICATIONS

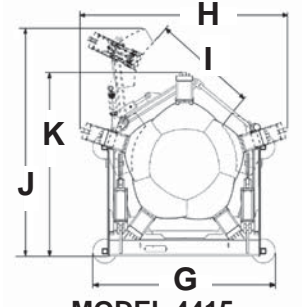
15 Series Tree Spades	2415	3215	4415
A. overall height - blades up (open)	52.0"	60.0"	72.0"
B. overall height - blades down (closed)	51.75"	61.0"	76.25"
C. shipping height - blades removed	33.0"	37.0"	44.38"
D. frame height	29.5"	29.5"	29.5"
E. digging depth	20.0"	24.0"	32.0"
F. cutting angle	15°	15°	15°
G. overall transport width (gate closed)	52.0"	68.0"	76.25"
H. overall width (gate open)	6.0"	81.0"	87.0"
I. maximum gate opening	21.5"	41.0"	44.0"
J. overall length (gate open)	52.0"	61.5"	94.25"
K. overall transport length (gate closed)	47.5"	51.5"	76.0"
number of blades	3	4	5
blade sizes (ball diameter)	16", 18", 20", 24"	20", 24", 28", 32"	32", 36", 40", 44"
tree diameter (trunk caliper)	1.5" - 2.5"	2" - 3.5"	3" - 4.5"
ball weight (lbs)	200# - 400#	300# - 900#	1000# - 2000#
flow requirements (GPM)	10	10	10
minimum operating pressure (PSI)	2250	2250	2250
weight (lbs) (with blades)	1200#	1600#	3000#
rear stabilizers required - specify loader model			



**MODEL 2415**



**MODEL 3215**



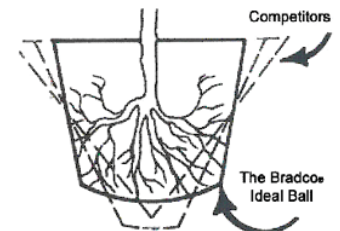
**MODEL 4415**

Specifications and design are subject to change without notice and without liability, therefore, whenever applicable specifications are in accordance with SAE standards.

**B**radco's 24" 32" and 44", 15 Series Tree Spades provide a unique, optimized root ball to retain more of the root system. The exclusive dished undercutter cuts all roots & supports the ball in looser soil.

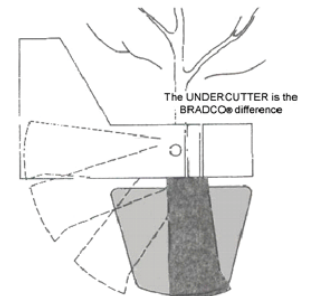
Bradco's 15° truncated models feature flat bottom, high tensile, abrasion resistant overlapping blades, & provide a sharp clean cut at a direct angle, without tearing or stretching the root system. These easy changing blades better approximate a true round shape and multiple cylinders exert a more precise force around the ball.

Features include the same great "CLEGG" design with updated manufactured structures and hydraulics.



15° SPADE ANGLE  
+ PATENTED BRADCO® UNDERCUTTER  
= THE BRADCO® DIFFERENCE

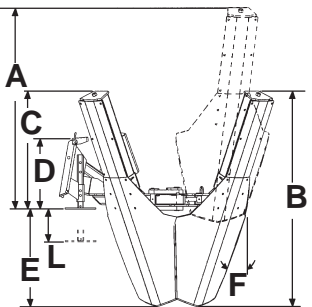
BRADCO®  
SPADE BALLER



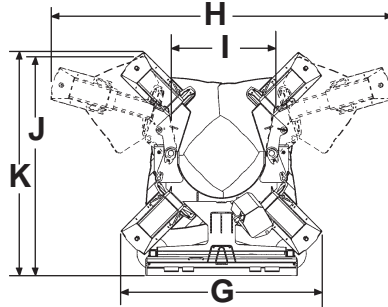
# 25 Series Tree Spade SPECIFICATIONS

25 Series Tree Spades	2625	3625	4425
A. overall height - blades up (open)	48.0"	64.5"	64.5"
B. overall height - blades down (closed)	52.0"	69.0"	69.0"
C. shipping height - blades removed	32.0"	38.0"	38.0"
D. frame height	22.5"	22.5"	22.5"
E. digging depth	22.0"	31.0"	31.0"
F. cutting angle	25°	25°	25°
G. overall transport width (gate closed)	56.0"	66.0"	63.0"
H. overall width (gate open & blades up)	76.0"	88.5"	107.0"
I. maximum gate opening	30.0"	40.0"	33.0"
J. overall length (gate open)	52.0"	75.0"	68.0"
K. overall transport length (gate closed)	60.0"	68.0"	69.5"
L. maximum leg adjustment	10.5"	10.5"	10.5"
number of blades	3	3	4
ball diameters available	18" - 26"	24" - 36"	32" - 44"
tree diameter (trunk caliper)	1.5" - 2.5"	2" - 3.5"	3" - 4.5"
ball weight (lbs)	150# - 350#	250# - 1000#	1200# - 1500#
flow requirements (GPM)	10	10	10
minimum operating pressure (PSI)	2250	2250	2250
weight (lbs)	1100#	1500#	1825#
rear stabilizers required - specify loader model			



**MODEL 2625 & 3625**



**MODEL 4425**

Specifications and design are subject to change without notice and without liability, therefore, whenever applicable specifications are in accordance with SAE standards.

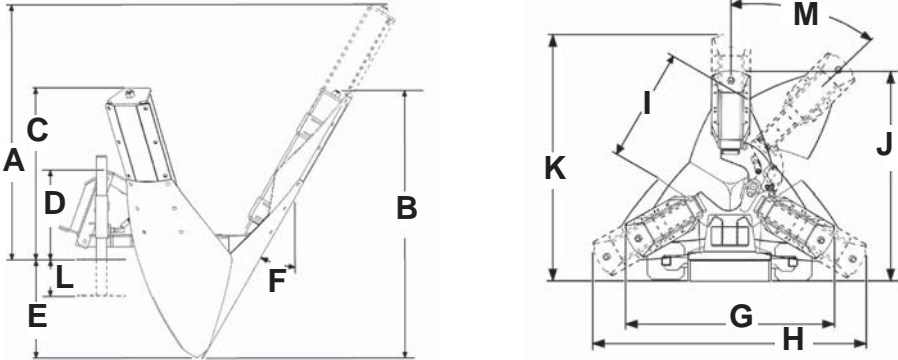
**B**radco's 26", 36", & 44", 25 Series Tree Spades provide a compromised digging angle between truncated and cone style to adapt to various soil conditions. The 25° angle and deep stroke of the blades produces several uniform ball sizes with one set of blades.

Bradco's 25° modified truncated model features pointed high tensile, abrasion resistant blades for easier ground penetration. Blade towers incorporate high density plastic slides that are self lubricating. Industry standard wire baskets for balled and burlap tree harvesting.

Other features include; an electric over hydraulic control with hand held joystick for operating the tree spade and rear stabilizers and an optional cord extension for the joystick control. Offers rear stabilizers for most skid-steer models. The inside frame is more compact allowing the skid-steer to handle a bigger spade size and work in tight spaces.

# 30 Series Tree Spade SPECIFICATIONS

30 Series Tree Spades	2030
A. overall height - blades up (open)	42.25"
B. overall height - blades down (closed)	44.51"
C. shipping height - blades removed	28.38"
D. frame height	14.75"
E. digging depth	16.13"
F. cutting angle	30°
G. overall transport width (gate closed)	45.5"
H. overall width (gate open & blades up)	59.5"
I. maximum gate opening	26.0"
J. overall length (gate open)	49.0"
K. overall transport length (gate closed)	53.5"
L. maximum leg adjustment	6.0"
M. gate swing	45°
number of blades	3
ball diameters available	16" - 20"
tree diameter (trunk caliper)	1" - 1.5"
ball weight (lbs)	80# - 120#
flow requirements (GPM)	6
minimum operating pressure (PSI)	2000#
weight (lbs)	525
rear stabilizers required - specify loader model	



Specifications and design are subject to change without notice and without liability, therefore, whenever applicable specifications are in accordance with SAE standards.

**B**radco's 30° cone style models are ideal for transplanting & burlapping small trees and shrubs in sandy or hard packed soil. The low profile blade towers allow the tree spade to fit between closely planted trees. Adjustable legs to set digging depth.

Bradco's 2030 tree spade fits skid-steer loaders & compact mini loaders. Overlapping high tensile, abrasion resistant blades close to a point in the down position to clean cut tap roots. Removable shims adjust the tower side clearance and tighten the blade overlap.

Features also include electric over hydraulic control with hand held joystick to operate the spade and rear stabilizers, and an optional cord extension for the joystick control.